

## TAGGER® 320

Ultralight stitchfolding machine  
for sheet material assembly

**BÖLLHOFF**

**attexor**



## Stitchfolding

In stitchfolding, material tabs are cut out by punches. These tabs are then folded back and compressed. The result is a safe joining of sheet material and/or profiles.

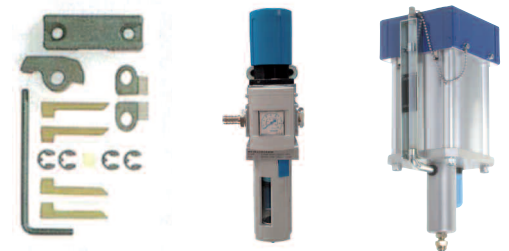
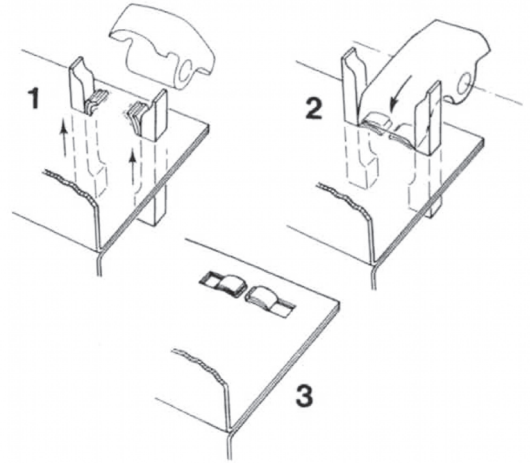
### TAGGER® 320

Today thousands of TAGGER® 320 machines are working all around the world. Users included leading manufacturers of white goods, as well as heating, ventilation, air-conditioning and filter equipment.

The low weight, low noise and the absence of recoil makes TAGGER® 320 a very user-friendly and extremely productive machine.

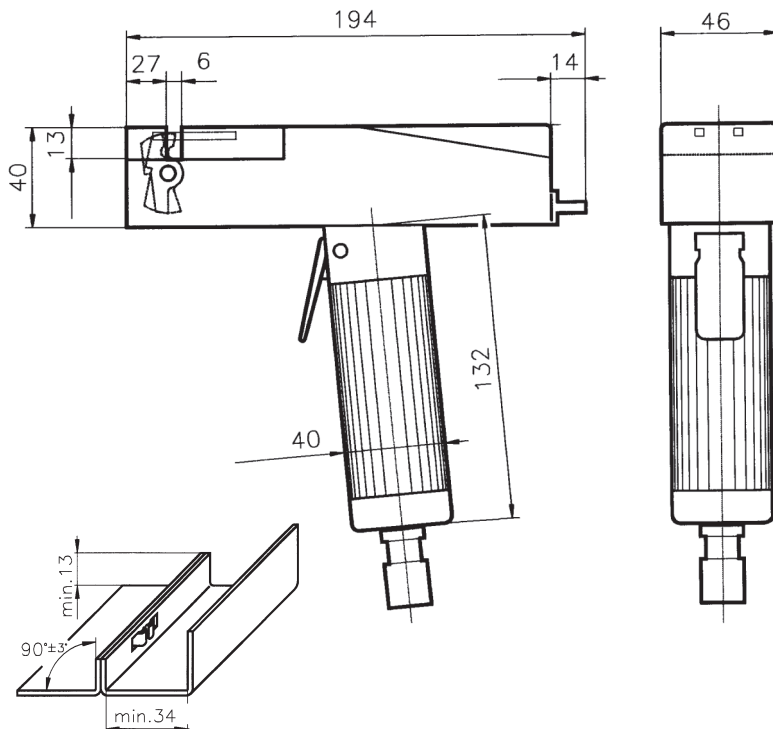
### Advantages

- Very rapid and cost-effective joining
- More than one joint per second
- No separate fasteners to buy, sort or feed
- One tool for all thicknesses
- Simple and user-friendly handling
- Silent operation without sparks, fumes or noxious gases
- Ideal for mansize and larger workpieces
- Joining of pre-painted, coated and sandwich material possible
- No drilling or previous hole stamping
- No pre- or post work
- No complicated jigs or fixtures
- No burns, no oil, no scrap
- No thermal strain or stress around the joined area



## Technical specifications

A complete TAGGER® 320 unit consists of a compact workhead connected through a hydraulic hose to an air-over-oil pressure intensifier, a booster. The booster is ready for connection to the factory net of compresses air. Air preparing unit, service kit, balancer and rotator are available as options.



Workhead weight	2.1 kg	4.6 lbs
Total weight, including booster	10.4 kg	22.9 lbs
Working air pressure	6 bar	87 psi
Hydraulic pressure at 6 bar	365 bar	5'260 psi
Cycle time	0.6 s	
Max total thickness, mild steel	2.0 mm	0.08"
Max total thickness, stainless steel	1.4 mm	0.055"

### Products numbers

Designation	Part No
TAGGER® 320, 2M HOSE	<b>3 84242 10246</b>
TAGGER® 320, 3 M HOSE	<b>3 84242 10253</b>
Air preparation unit, one-stage	<b>3 92498 75300</b>
Service kit	<b>3 92498 75061</b>
Balancer	<b>3 92498 75320</b>
Rotator	<b>3 92498 68300</b>

